

Φ3.3mm 515nm Laser Module

Features

- APC (auto power control) IC inside
- Low current consumption of the APC circuit
- Much smaller LD module
- Surge current protection
- High quality lens for output beam

Absolute maximum ratings

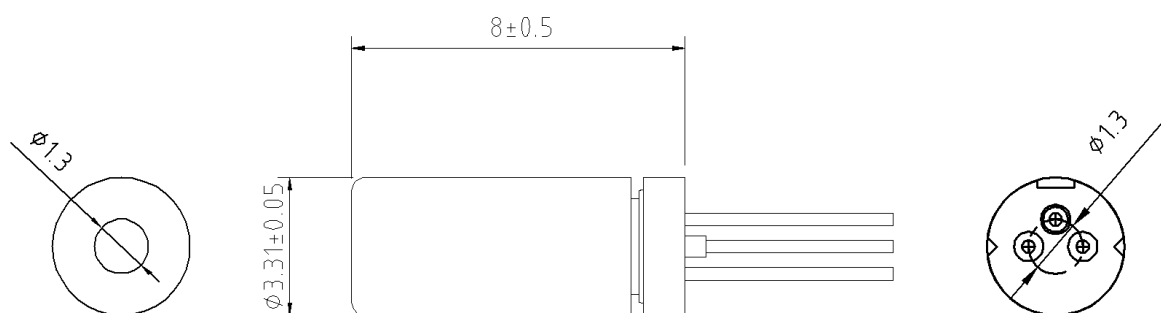
Parameter	Symbol	Rating	Unit
Power supply voltage	Vcc	7	V
Laser Module optical output power	Po	<1	mW
Operation temperature	Topr	0~50	°C
Storage temperature	Tstg	0~85	°C

Electrical and optical characteristics (T_c=25 °C)

Parameter	Symbol	Min.	Typ.	Max.	Unit	Conditions
Wavelength	λ	510	520	530	nm	P _o = 0.8mW
Operation current	I _{op}	-	-	100	mA	P _o = 0.8mW ; V _{cc} =6V
Optical output power	P _{out}	0.5		0.9	mW	
Operation voltage	V _{op}	-	6	6.5	Volt	
PWM Control mode	PWM	100		2000	KHz	Add 10uf capacitance , Duty cycle=50%
Laser Beam spot size at 10m				<20mm		
Divergence angle				2 mrad		

* Sufficient heat dissipation is required for CW operation.

Outline dimensions (Units: mm)



Aperiture:1.3mm

ARIMA LASERS CORP.

PHONE: 886-3-4699800 | FAX: 886-3-4699600

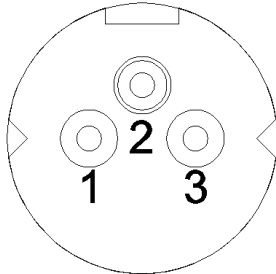
E-MAIL: Ldsales@arimalasers.com | www.arimalasers.com

For reference only. Contents above are subject to change without notice.

Arima
LASERS

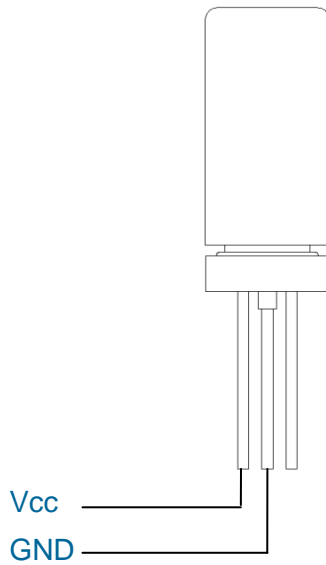
Φ3.3mm 515nm Laser Module

PIN Assignment:

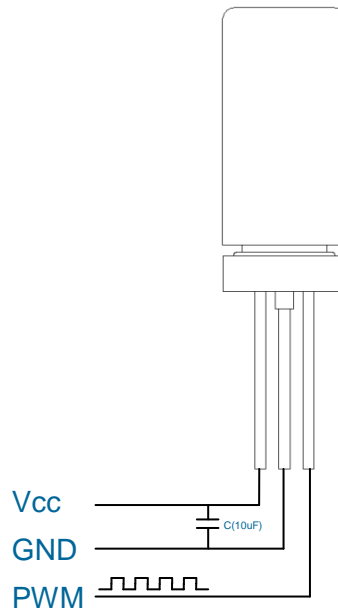


Pin 1 : Vcc
Pin 2 : GND
Pin 3 : PWM

CW mode



PWM mode



• Precautions

- * Do not operate the device above maximum ratings. Doing so may cause unexpected and permanent damage to the device.
- * Take precautions to avoid electrostatic discharge and/or momentary power spikes. A change in the characteristics of the laser or premature failure may result.
- * Proper heat sinking of the device assures stability and lifetime. Always ensure that maximum operating temperatures are not exceeded.
- * Observing visible or invisible laser beams with the human eye directly, or indirectly, can cause permanent damage. Use a camera to observe the laser.
- * No laser device should be used in any application or situation where life or property is at risk in event of device failure.
- * Specifications are subject to change without notice. Ensure that you have the latest specification by contacting us prior to purchase or use of the product.

ARIMA LASERS CORP.

PHONE: 886-3-4699800 | FAX: 886-3-4699600

E-MAIL: Ldsales@arimalasers.com | www.arimalasers.com

For reference only. Contents above are subject to change without notice.